

ACCESSORIES

Car Adapter

Enables you to re-charge your battery with your vehicle's electrical system.



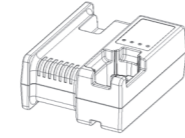
Part No. 900507

Battery Cell



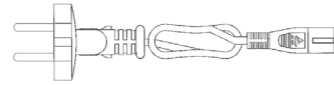
Part No. 018880

Battery Charger



Part No. 018882 (UK)

Cable



Part No. 018886 (UK)

Hex Key



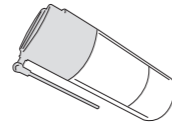
Part No. 401331

Safety Glasses



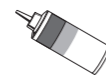
Part No. 014121

Paslode Intensive Tool Cleaner 300 ml



Part No. 115251

Paslode Impulse Lubricating Oil



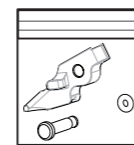
Part No. 401482

Carrying Case Standard



Part No. 014974

Probe kit



Part No. 014099

Cleaning Kit (Blister)

Contains all the necessary to clean any Impulse tool



Part No. 013690

Maintenance Kit

(Filter + o'ring)



Part No. 013231



An Illinois Tool Works Company
Route de Lyon - BP 104
F - 26501 Bourg Les Valence - Cedex France

018188-1
01/15

Paslode®

Impulse®

Part No. 014095 (UK)

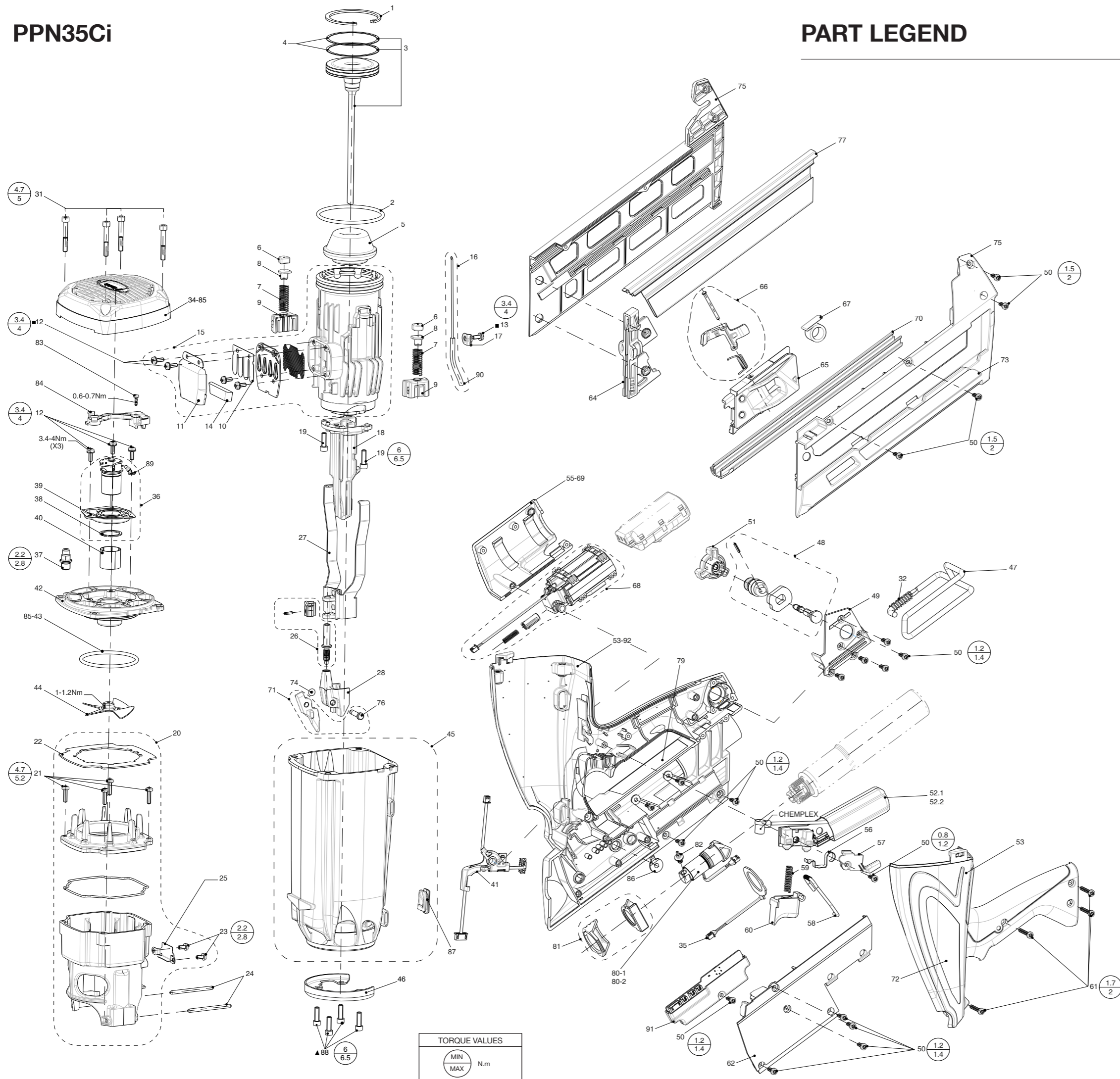


PPN35Ci

IMPORTANT! DO NOT DESTROY

Always refer to operating and safety instructions (#018185 & #014744) for detailed information on this tool. It is the customer's responsibility to have all operators and service personnel read and understand this information.

TOOL SCHEMATIC AND PARTS



TORQUE VALUES	
MIN	N.m
MAX	

1	336680	1	Retainer ring
2	013743	1	Cylinder o-ring
3	014386	1	Piston assembly
4	336670	2	Piston ring
5	013778	1	Bumper
6	013758	2	Rubber stop
7	013779	2	Combustion chamber spring
8	019071	2	Combustion chamber spring guide
9	019072	2	Combustion chamber spring assembly
10	336560	1	Reed valve
11	336580	1	Muffler cover
■ 12	405141	5	Screw swage form 4-11
■ 13	405140	1	Screw swage form 4-9
14	336570	1	Muffler
15	013751	1	Cylinder assembly
16	013737	1	Injection pipe assembly
17	013738	1	Bracket fuel line
18	014387	1	Nose
■ 19	013796	2	Screw CHC M5-16
20	013749	1	Combustion Chamber Assembly
21	900456	4	Screw swage form 4-15
22	013750	1	Seal
23	013805	2	Screw taprite 4x8
24	013781	2	Combustion chamber stop pin
25	019073	1	Combustion chamber lock out
26	014388	1	Knob assembly
27	013744	1	Upper probe assembly
28	014389	1	Probe
31	013797	4	Screw CHC M5-35
32	019075	1	Hook spring
33	013748	1	Filter
34	019121	1	Cap
35	019076	1	Antenna
36	019077	1	Motor assembly
37	013731	1	Spark plug assembly (901706)
38	321610	1	Retaining ring
39	334310	1	Motor mount
40	321590	1	Motor sleeve
41	019078	1	Wire assembly
42	013740	1	Cylinder head
43	321650	1	Cylinder head O-Ring
44	321660	1	Fan blade assembly
45	014392	1	Carter
46	013787	1	Nose protection
47	019079	1	Hook assembly
48	013792	1	Magazine ball assembly
49	019081	1	Cover ball
50	013798	19	Screw Eco-syn Torx 4x12
51	013793	1	Magazine knob
52-1	019096	1	Red S-MEFI
52-2	019097	1	Black S-MEFI
53	019082	1	Handle assembly
55	019109	1	Handle label
56	013734	1	Contact level
57	013785	1	Contact plate
58	019084	1	Combustion chamber lock bar
59	013783	1	Trigger spring
60	019119	1	Trigger
61	013799	4	Screw Eco-syn Torx 4x25
62	019085	1	Handle cover
64	014397	1	Shear block
65	014398	1	Follower assembly
66	014399	1	Follower button assembly
67	013767	1	Follower spring
68	019086	1	Battery terminal assembly
69	019092	1	Battery cap
70	013764	1	Cover plate magazine
71	014099	1	Probe pin PPN35Ci
72	019115	1	Assembly carter labels
73	019107	1	Magazine label
74	014415	1	Probe pin o'ring
75	014402	1	Magazine assembly
76	014416	1	Probe pin axis
77	014403	1	Nail channel
79	019108	1	Name plate label
80-1	019116	1	Red electrovalve assembly
80-2	019117	1	Black electrovalve assembly
81	019088	1	Eject button assembly
82	013739	1	Electrovalve plug connection
83	404702	1	Screw thread forming 6 x 3/8
84	013808	1	Wires guide
85	013231	1	Maintenance kit (filter + o'ring)
86	019089	1	Power button
87	013812	1	Electrovalve heat protection
▲ 88	013813	4	Screw CHC M5-16
89	014771	1	Fan motor ground wire
90	014772	1	Rubber fuel injection tube
91	019091	1	DEL assembly
92	019118	1	Gauges sticker