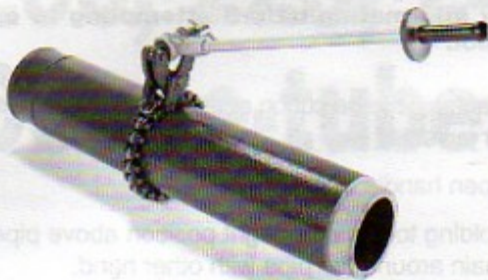


Models 206 and 246 Soil Pipe Cutters



Description

The Models 206 and 246 are ratchet-type soil pipe cutters. The ratcheting action parallel to the pipe makes the 206 and 246 the ideal tools for cutting pipe in trenches of limited width. The Model 206 is a lightweight tool designed for cutting no hub pipe, whereas the 246 is a heavier duty tool able to cut hub and service weight cast iron pipe. The models 206 and 246 are the only soil pipe cutters that feature an integral ratchet handle.

Operating Instructions

WARNING

Make sure you have read and understood the safety information in this brochure before attempting to operate this tool.

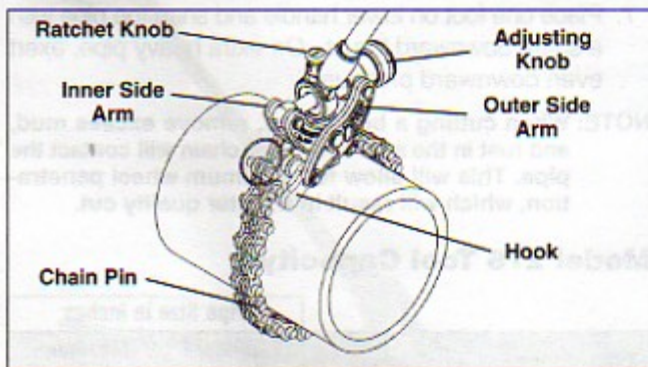


Figure 5

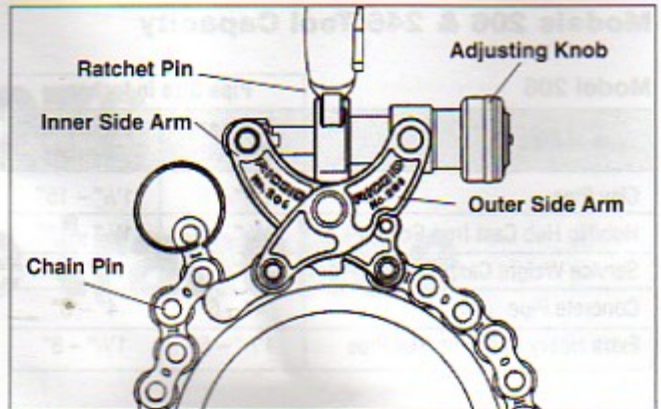


Figure 6

Cutter Set-Up

1. Lift and turn ratchet knob to neutral position (pin should not be in groove). (Figure 5)
2. Turn adjusting knob until jaws are fully open. (Figures 5 and 6)
3. When working conditions permit, place cutter on pipe with adjusting knob on the right, while straddling the long end of the pipe.

Adjusting the Chain

1. After cutter is properly set, wrap chain around the pipe snugly.
2. Set proper chain pin into hooks. Make sure you hook the pin that leaves the least slack in the chain.
3. Turn adjusting knob so that arrow points to word CUT on the ratchet housing, (Figure 5). Chain must be properly set to assure ample travel for cutting action.

Cutting the Pipe

1. Ratchet handle in the direction indicated by the arrow on ratchet knob until the pipe is cut. Avoid raising ratchet handle too close to the vertical position as this makes the ratcheting action more difficult.

IMPORTANT

If ratcheting action stops before the pipe is cut, the tool has been jammed. DO NOT force the handle or adjusting knob, simply lift, turn and hold ratchet knob so that the arrow points to word OPEN on ratchet housing. Push in ratchet knob to ensure engagement of pawl. Use ratchet action in the direction indicated by the arrow to release the chain. Reset cutter by hooking the next pin in line to assure ample travel for cutting action.