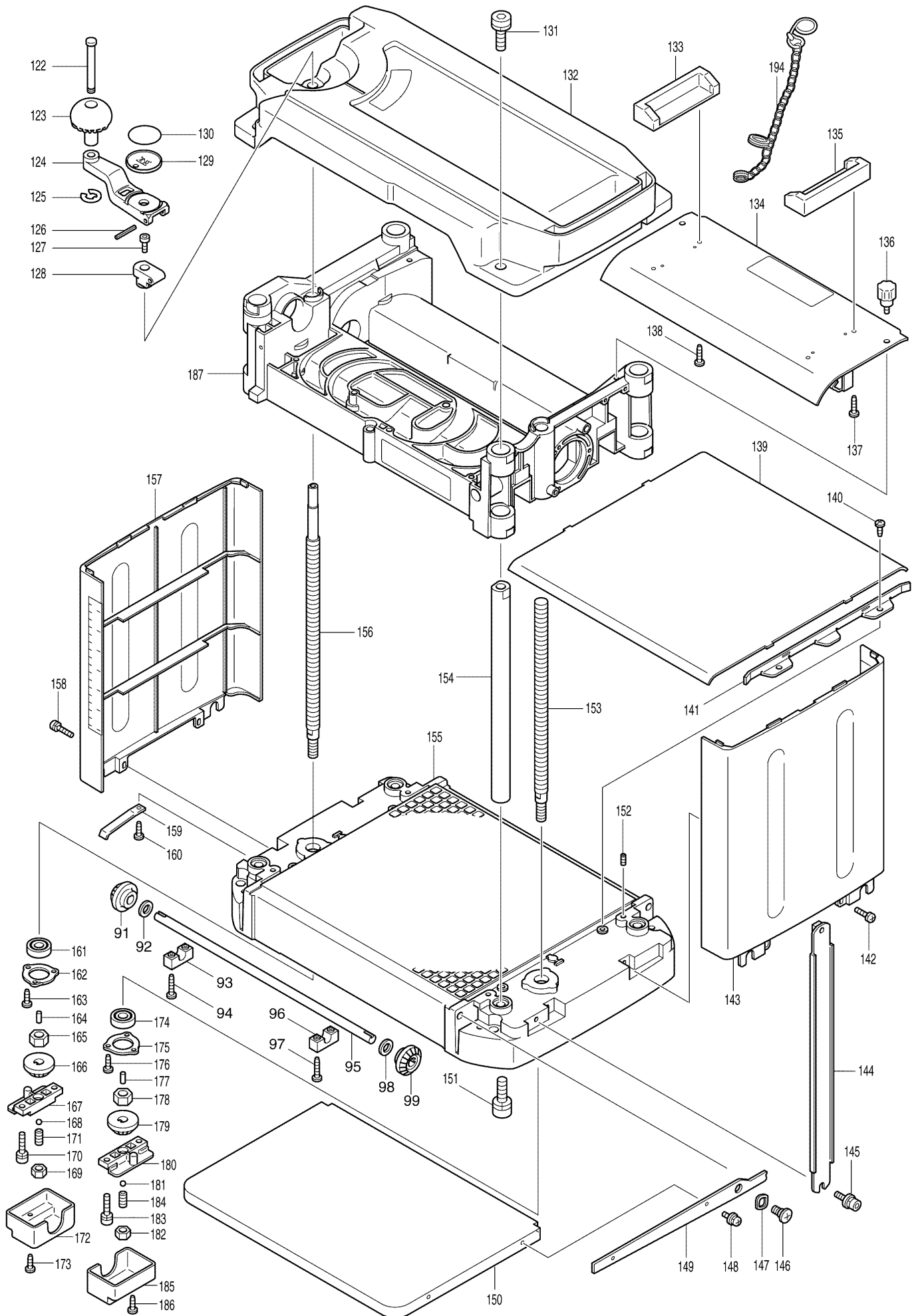


No.	Part no.	Name
1	654561-8	TERMINAL BLOCK 2012NB/LH1040
100	951122-8	SPRING PIN 4-28 2012NB/UC3530A
101	344815-8	LOCK PLATE 2012NB
102	231793-0	TENSION SPRING 5 2012NB
103	251283-7	*PAN HD SHOULDER SCREW M5 5PK
104	417035-8	BELT COVER 2012NB
105	266040-0	*CT SCREW M4X25 10PK
106	251322-3	*PAN HD SCREW M5X12 10PK
107	252427-2	'NUT M14L 2012NB
108	233016-2	'COMPRESSION SPRING 15 2012NB
109	213009-5	'O RING 4 2030/2012NB/KP0810
11	417041-3	'SWITCH BOX 2012NB
110	911233-1	*PAN HD SCREW 5X20 W/CP 10PK
111	253194-2	*WASHER 5 UB120D 5PK
112	257600-9	SLEEVE 2012NB
113	231588-1	TORSION SPRING 9 2012NB
114	344068-9	'POINTER 2012NB
115	266026-4	*CT SCREW M4X12 LC1230/LS1216
116	322229-1	'GAUGE 2012NB
117	266040-0	*CT SCREW M4X25 10PK
118	266173-1	*PT SCREW 5X30 9015B 10PK
119	265736-0	'SCREW M6X135 2012NB
12	417038-2	'SWITCH BOX COVER 2012NB
120	323927-0	'HALF NUT 2012NB
121	231226-5	*COMPRESSION SPRING 11
13	265995-6	*PT SCREW 4X18 10PK KP0810C
14	266026-4	*CT SCREW M4X12 LC1230/LS1216
15	682504-0	CORD GUARD HP1641/BO5031/HP163
15	682516-3	CORD GUARD 9.3-85 BO5041/3711
16	692527-0	LEAD WIRE HP1641/TD0101F/KP081
16	695217-4	POWER SUPPLY CORD 1.5-2-2.5
17	265995-6	*PT SCREW 4X18 10PK KP0810C
18	687052-4	STRAIN RELIEF BO5041/KP0810
18	687053-2	STRAIN RELIEF 110V KP0810C/
188	240003-4	FAN 80 HM1317C-CB/2702/LF1000/
189	941051-3	*FLAT WASHER 4 DIN125 - 10PK
19	687042-7	STRAIN RELIEF LS1013/2012NB
191	645200-1	NOISE SUPPRESSOR HP1641/LC1230
192	638896-5	RELAY UNIT 110V 2012NB
192	638897-3	RELAY 240V 2012NB
193	688131-1	LINE FILTER TD0101F/UM164D
195	414301-4	DUST COVER 2012NB
2	631370-2	'PILOT LAMP COMP 110V 2012NB
2	631371-0	'PILOT LAMP COMP 240V 2012NB
20	911128-8	*PAN HEAD SCREW M4X16 10PK
21	851968-1	'NAME PLATE 2012NB
22	922312-0	*CAP HD SCREW M6X12 2414B 5PK
23	267080-1	*FLAT WASHER 6 2012NB 5PK

24	221525-3	SPROCKET 10 2012NB
25	266059-9	*PT SCREW 5X75 2414B 5PK
26	151739-9	'GEAR HOUSING COVER COMP 2012N
27	253715-0	*HARD WASHER 6 4334D/6510S 5PK
28	226134-3	'GEAR COMP 8-50 2012NB
29	253715-0	*HARD WASHER 6 4334D/6510S 5PK
30	253215-0	*THIN WASHER 8 5093D 5PK
31	226135-1	GEAR COMP 8-46 2012NB
32	253215-0	*THIN WASHER 8 5093D 5PK
33	254001-2	*WOODRUFF KEY 4 10PK
34	253760-5	'FLAT WASHER 14 2012NB/2030
35	323923-8	DRIVE SHAFT 2012NB
36	226518-5	'HELICAL GEAR 47 2012NB
37	253744-3	*HARD WASHER 12 10PK
38	151738-1	'GEAR HOUSING CO 2012NB
39	225083-1	POLY V-BELT 8-341 2012NB
40	222155-3	V-PULLEY 8-23.5L 2012NB
41	151737-3	MOTOR HOUSING CO 2012NB
42	526101-1	FIELD ASSY 110V 2012NB
42	526104-5	FIELD ASSY 240V 2012NB
43	211087-9	BALL BEARING BO3710/3711/KP081
44	681623-9	INSULATION WASHER 2012NB
45	516813-4	ARMATURE ASSY 240V 2012NB
45	516810-0	ARMATURE ASSY 100V
46	417033-2	BAFFLE PLATE 2012NB
47	211087-9	BALL BEARING BO3710/3711/KP081
48	266059-9	*PT SCREW 5X75 2414B 5PK
49	922312-0	*CAP HD SCREW M6X12 2414B 5PK
50	267080-1	*FLAT WASHER 6 2012NB 5PK
51	221525-3	SPROCKET 10 2012NB
52	343844-8	'METAL COVER B 2012NB
53	233016-2	'COMPRESSION SPRING 15 2012NB
54	231459-2	'COMPRESSION SPRING 13 2012NB
55	819064-1	MAKITA LABEL LS1030/5603R/2414
56	214251-1	'PLANE BEARING 17 2012NB
57	922221-3	*CAP HD SCREW M5X16 HM1200 5PK
58	643650-4	BRUSH HOLDER CAP CB-5/UC3530A
59	181044-0	CARBON BRUSH CB-153 (CB-22)/94
6	418416-9	SWITCH COVER 2012NB
60	162216-6	'ROLLER 34-295 2012NB
61	233392-4	'COMPRESSION SPRING 13A 2012NB
62	341685-6	'METAL COVER A 2012NB 2030
63	922221-3	*CAP HD SCREW M5X16 HM1200 5PK
64	214251-1	'PLANE BEARING 17 2012NB
65	265854-4	HEX SOCK HD BOLT M6X12 HR3520
66	222154-5	'V-PULLEY 8-54 2012NB
67	911128-8	*PAN HEAD SCREW M4X16 10PK
68	317259-5	'BEARING BOX 2012NB
69	211206-7	BALL BEARING 6202LLB/LF1000

---

7	251991-0	*+TAPPING SCREW M4X12 10PK
70	254204-8	*KEY 4-14 10PK
71	323928-8	'DRUM 2012NB
72	211206-7	BALL BEARING 6202LLB/LF1000
73	962153-2	RETAINING RING R-35 HP1631/415
74	793346-8	Thicknesser Accessories
75	343682-8	SET PLATE 2012NB
76	251609-3	*HEX HEAD M6X17 10PK
77	225520-5	CHAIN 35-46 2012NB
78	922312-0	*CAP HD SCREW M6X12 2414B 5PK
79	267080-1	*FLAT WASHER 6 2012NB 5PK
8	632519-7	SWITCH UNIT 2012NB
80	221525-3	SPROCKET 10 2012NB
81	922221-3	*CAP HD SCREW M5X16 HM1200 5PK
82	343844-8	'METAL COVER B 2012NB
83	252426-4	'NUT M14 2012NB
84	214251-1	'PLANE BEARING 17 2012NB
85	231459-2	'COMPRESSION SPRING 13 2012NB
86	162216-6	'ROLLER 34-295 2012NB
87	233392-4	'COMPRESSION SPRING 13A 2012NB
88	214251-1	'PLANE BEARING 17 2012NB
89	341685-6	'METAL COVER A 2012NB 2030
90	922221-3	*CAP HD SCREW M5X16 HM1200 5PK



No.	Part no.	Name
122	256688-6	PIN 8 2012NB
123	271296-2	KNB 45 2012NB
124	272028-0	HANDLE 160 2012NB
125	961012-7	*EXT E-RING JIS JE-6 10PK
126	951122-8	SPRING PIN 4-28 2012NB/UC3530A
127	266086-6	HEX BOLT M5X16 JR3020/DA4031
128	317760-0	JOINT 2012NB
129	417032-4	GAUGE 2012NB
130	816358-5	SCALE LABEL 2012NB
131	266240-2	'HEX BOLT M10x25 2012NB
132	153779-3	TOP COVER COMPLETE
133	417036-6	'TOOL BOX HOLDER 2012NB
134	165379-7	'CHIP COVER 2012NB
135	417036-6	'TOOL BOX HOLDER 2012NB
136	265716-6	KNOB SCREW M5X10 3901/2012NB
137	265995-6	*PT SCREW 4X18 10PK KP0810C
138	265995-6	*PT SCREW 4X18 10PK KP0810C
139	344816-6	TABLE PLATE 2012NB
140	266026-4	*CT SCREW M4X12 LC1230/LS1216
141	344819-0	'GUIDE PLATE 2012NB
142	911128-8	*PAN HEAD SCREW M4X16 10PK
143	417040-5	SIDE COVER 2012NB
144	344820-5	'SIDE BEAM 2012NB
145	922323-5	HEX SOCKET BOLT M6X16 2012NB
146	251217-0	'+BINDING HEAD SCREW M8 2012NB
147	253932-2	*WAVE WASHER 10 3600B 5PK
148	911108-4	*PAN HEAD SCREW M4X8 10PK
149	344818-2	ARM 2012NB
150	344817-4	SUB TABLE PLATE 2012NB
151	266240-2	'HEX BOLT M10x25 2012NB
152	266213-5	*GRUB SCREW M5X12 5621RD 5PK
153	323925-4	'SCREW L 2012NB
154	331562-0	'COLUMN 20 2012NB
155	317763-4	'TABLE 2012NB
156	323924-6	'SCREW R 2012NB
157	151886-6	SIDE COVER COMP 2012NB
158	911128-8	*PAN HEAD SCREW M4X16 10PK
159	232195-3	'LEAF SPRING 2012NB
160	266026-4	*CT SCREW M4X12 LC1230/LS1216
161	211088-7	BALL BEARING 6000DDW PC5000/01
162	285698-6	'BEARING RETAINER 2012NB
163	266026-4	*CT SCREW M4X12 LC1230/LS1216
164	256226-4	PIN 4 6805BV/2012NB
165	252164-8	'HEX NUT M10-17 2012NB
166	226791-7	STRAIT BEVEL GEAR 15 2012NB
167	317260-0	SUPPORTER 2012NB
168	216011-7	*STEEL BALL 5.6 10PK
169	931403-6	*HEX HALFNUT M8 5PK

170	922231-0	*CAP HD SCREW M5X20 HR2010 5PK
171	265846-3	*HEX SOCKET HD BOLT M8X16 5PK
172	417030-8	'GEAR COVER 2012NB
173	266026-4	*CT SCREW M4X12 LC1230/LS1216
174	211088-7	BALL BEARING 6000DDW PC5000/01
175	285698-6	'BEARING RETAINER 2012NB
176	266026-4	*CT SCREW M4X12 LC1230/LS1216
177	256226-4	PIN 4 6805BV/2012NB
178	252164-8	'HEX NUT M10-17 2012NB
179	226791-7	STRAIT BEVEL GEAR 15 2012NB
180	317260-0	SUPPORTER 2012NB
181	216011-7	*STEEL BALL 5.6 10PK
182	931403-6	*HEX HALFNUT M8 5PK
183	922231-0	*CAP HD SCREW M5X20 HR2010 5PK
184	265846-3	*HEX SOCKET HD BOLT M8X16 5PK
185	417030-8	'GEAR COVER 2012NB
186	266026-4	*CT SCREW M4X12 LC1230/LS1216
187	153731-1	'MAIN FRAME COMP 2012NB
194	282017-7	CHAIN 2012NB
91	226786-0	STRAIGHT BEVEL GEAR 15 2012NB
92	253828-7	*FLAT WASHER 10 2012NB 5PK
93	417034-0	'SHAFT RETAINER 2012NB
94	266040-0	*CT SCREW M4X25 10PK
95	323926-2	'SHAFT 10 2012NB
96	417034-0	'SHAFT RETAINER 2012NB
97	266040-0	*CT SCREW M4X25 10PK
98	253828-7	*FLAT WASHER 10 2012NB 5PK
99	226786-0	STRAIGHT BEVEL GEAR 15 2012NB