

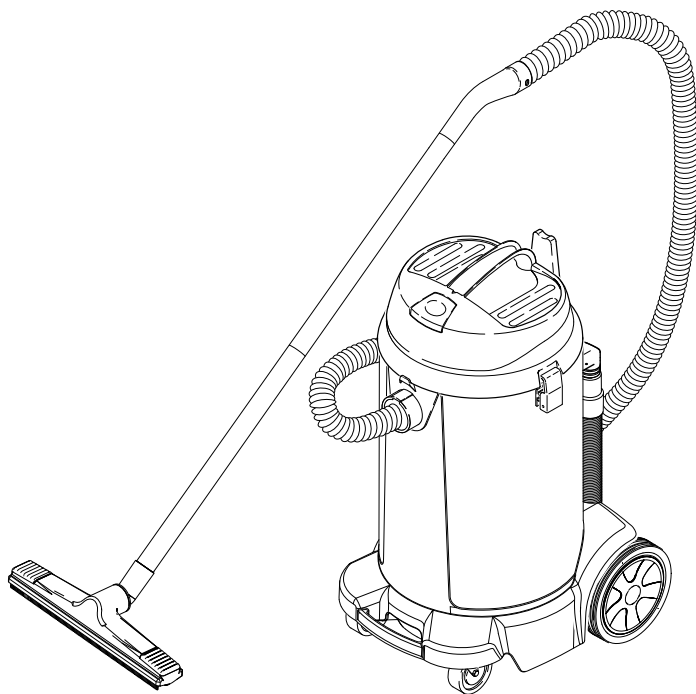
KÄRCHER

makes a difference

NT 48/1

English

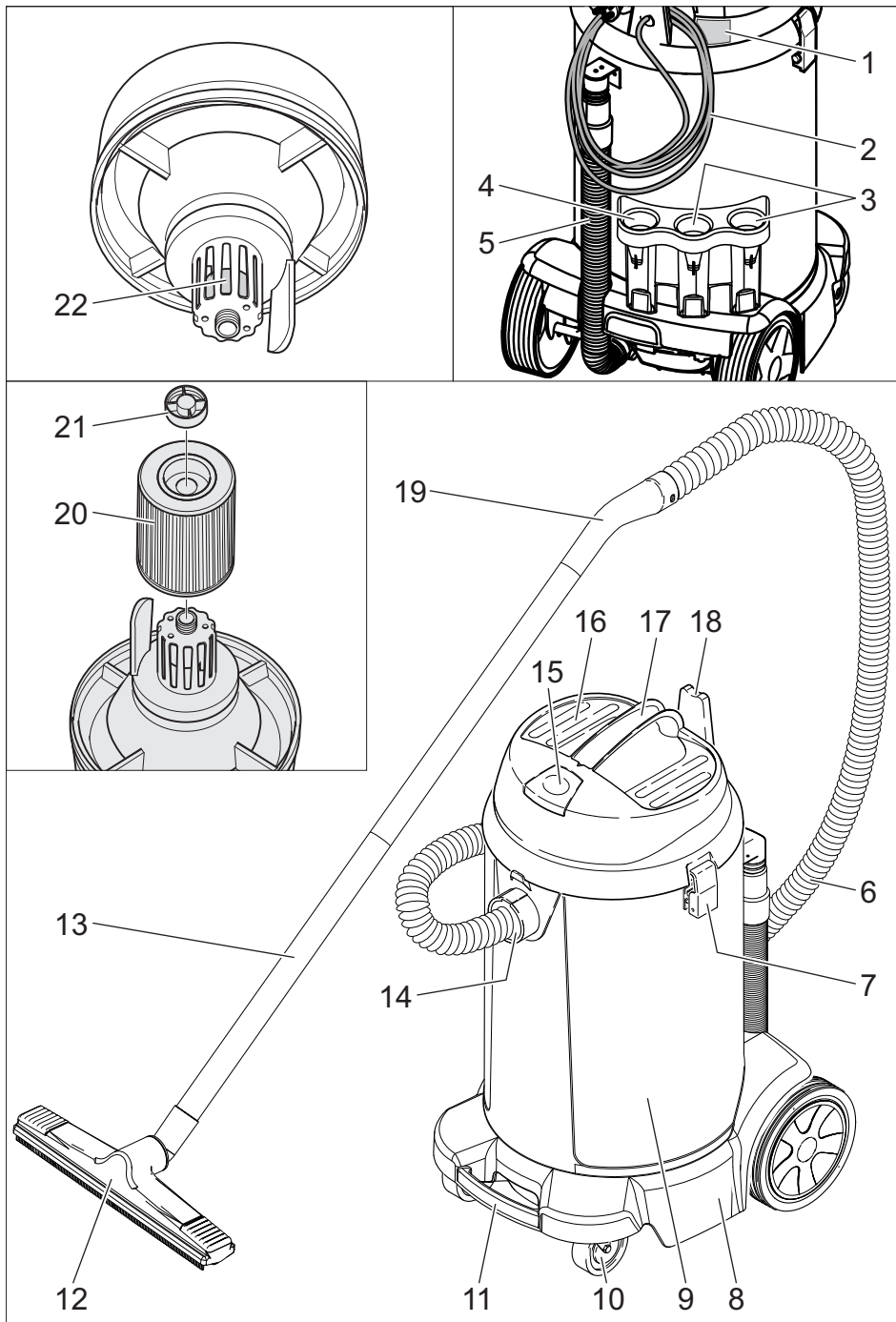
5

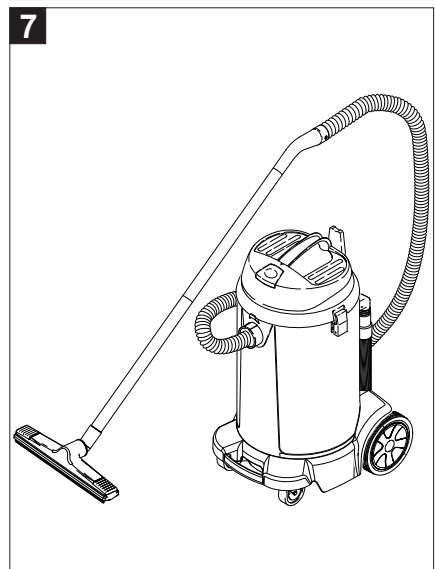
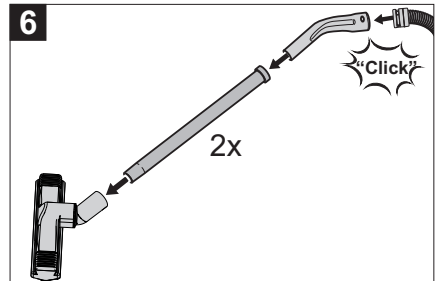
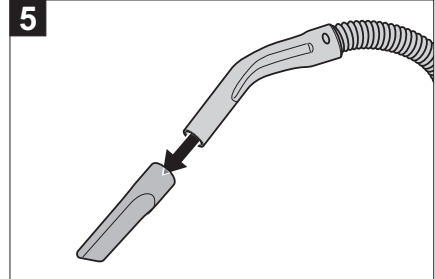
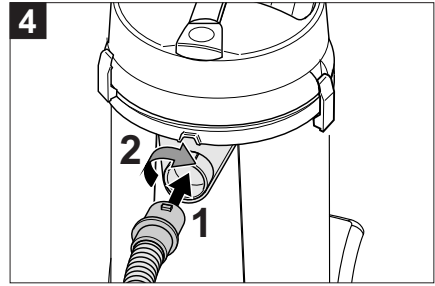
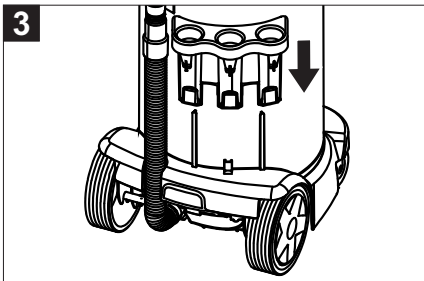
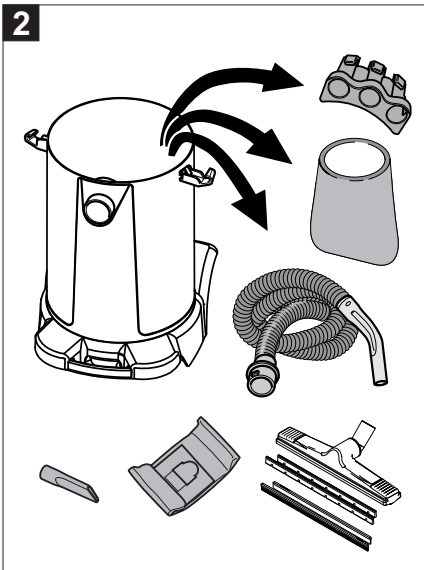
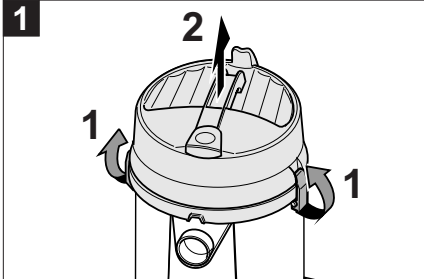
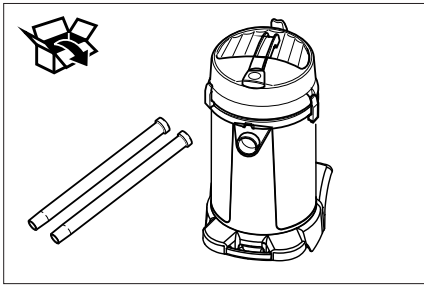


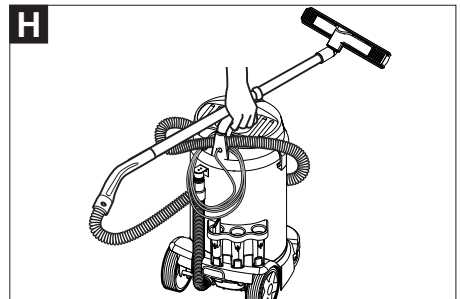
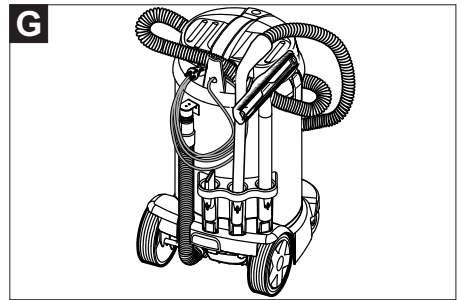
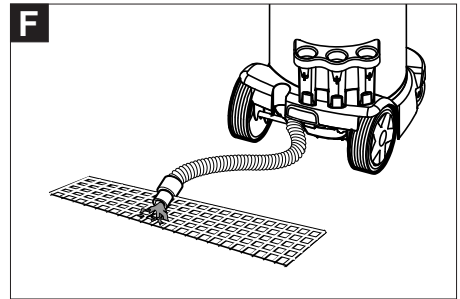
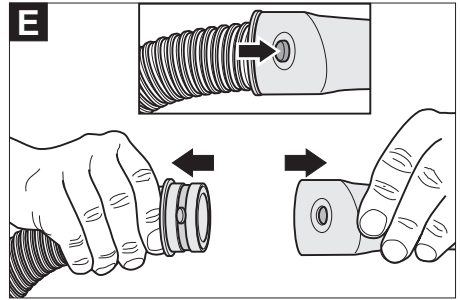
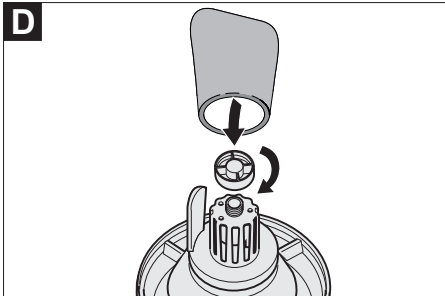
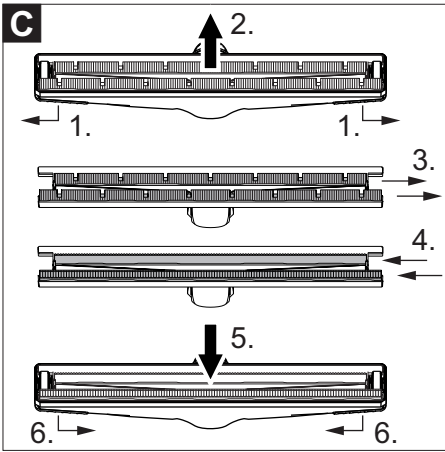
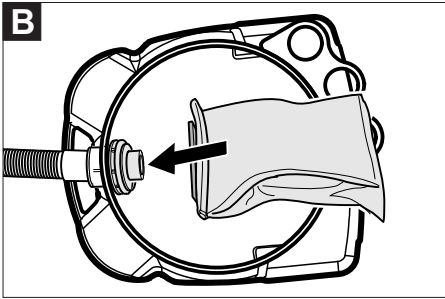
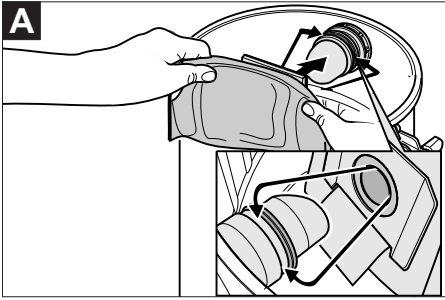
Register and win!
www.kärcher.com/register-and-win



59676030 08/16









Please read and comply with these original instructions prior to the initial operation of your appliance and store them for later use or subsequent owners.

- Before first start-up it is definitely necessary to read the safety indications Nr. 5.956-249.0!
- The non-compliance of the operating and safety instructions may lead to damages of the appliance and to dangers for the operator and other persons.
- In case of transport damage inform vendor immediately.

Contents

Environmental protection	EN	1
Danger or hazard levels	EN	1
Proper use	EN	1
Device elements	EN	2
Start up	EN	2
Operation	EN	2
Transport	EN	3
Storage	EN	3
Care and maintenance	EN	3
Troubleshooting	EN	3
Warranty	EN	4
Accessories and Spare Parts	EN	4
EU Declaration of Conformity	EN	4
Technical specifications	EN	5

Environmental protection

	The packaging material can be recycled. Please do not throw the packaging material into household waste; please send it for recycling.
	Old appliances contain valuable materials that can be recycled; these should be sent for recycling. Batteries, oil, and similar substances must not enter the environment. Please dispose of your old appliances using appropriate collection systems.

Notes about the ingredients (REACH)

You will find current information about the ingredients at:

www.kaercher.com/REACH

Danger or hazard levels

⚠ DANGER

Pointer to immediate danger, which leads to severe injuries or death.

⚠ WARNING

Pointer to a possibly dangerous situation, which can lead to severe injuries or death.

⚠ CAUTION

Pointer to a possibly dangerous situation, which can lead to minor injuries.

ATTENTION

Pointer to a possibly dangerous situation, which can lead to property damage.

Proper use

⚠ WARNING

The appliance is not suitable for vacuuming dust which endangers health.

- The machine is meant for dry and wet cleaning of floors and walls.
- This appliance is suited for the commercial use, e.g. in hotels, schools, hospitals, factories, shops, offices, and rental companies.

Device elements

- 1 Nameplate
- 2 Power cord
- 3 Holder for suction pipes
- 4 Holder for crevice nozzle
- 5 Drain hose
- 6 Suction hose
- 7 Suction head lock
- 8 Chassis
- 9 Dirt receptacle
- 10 Steering roller
- 11 Chassis handle
- 12 Floor nozzle
- 13 Suction tube
- 14 Suction support
- 15 Main switch
- 16 Suction head
- 17 Carrying handle
- 18 Cable hook
- 19 Bender
- 20 Cartridge filter
- 21 Fastening nut
- 22 Float

Start up

Dry vacuum cleaning

ATTENTION

Risk of damage! For dry vacuuming, the cartridge filter must always be installed.

- To vacuum fine dust, you can also use an additional paper filter bag.

Inserting the paper filter bag

Illustration **A**

Illustration **B**

- ➔ Release and remove the suction head.
- ➔ Insert the paper filter bag.
- ➔ Insert and lock the suction head.

Wet vacuum cleaning

Inserting the rubber lips

Illustration **C**

- ➔ Remove the brush strips.
- ➔ Install the rubber lips.

Note: The structured side of the rubber lips must point outwards.

Remove the paper filter bag

- To suck wet dirt, first remove the paper filter bag.

Installing an additional filter

- ➔ Release and remove the suction head.
- ➔ Turn the suction basket by 180° and keep it aside.
- ➔ Loosen the mounting nuts
- ➔ Remove the cartridge filter.

Illustration **D**

- ➔ Insert the fastening nut and tighten it.
- ➔ Install the additional filter.
- ➔ Insert and lock the suction head.

Clip connection

Illustration **E**

The suction hose is equipped with a clip system. All C-35/C-DN-35 accessories can be connected.

Operation

Turning on the Appliance

- ➔ Plug in the mains plug.
- ➔ Switch on the appliance at the main switch.

Emptying the dirt container

- The vacuum channel is equipped with a float.
- When the dirt water reaches the highest permissible level in the container, the suction power is interrupted.
- ➔ Switch off the appliance at the main switch.

Illustration **F**

- ➔ Drain off dirty water through the drainage hose.

Turn off the appliance

- Switch off the appliance at the main switch.
- Pull out the mains plug.

After each operation

- Empty the dirt container.
- Vacuum and wipe the appliance inside and outside with a damp cloth.

Storing the Appliance

Illustration 

- Store the suction pipes, the suction hose and the mains cable as shown in the illustration.
- Place the appliance in a dry room and secure it from unauthorized use.

Transport

⚠ CAUTION

Risk of injury and damage! Observe the weight of the appliance when you transport it.

Illustration 

- Transport the appliance as shown in the illustration.
- When transporting in vehicles, secure the appliance according to the guidelines from slipping and tipping over.

Storage

⚠ CAUTION

Risk of injury and damage! Note the weight of the appliance in case of storage.

This appliance must only be stored in interior rooms.

Care and maintenance

⚠ DANGER

First pull out the plug from the mains before carrying out any tasks on the machine.

Change cartridge filter

- Release and remove the suction head.
- Turn the suction basket by 180° and keep it aside.
- Loosen the mounting nuts
- Remove the cartridge filter.
- Insert the new cartridge filter.
- Insert the fastening nut and tighten it.
- Insert and lock the suction head.

Troubleshooting

⚠ DANGER

First pull out the plug from the mains before carrying out any tasks on the machine.

Suction turbine does not run

- Check the receptacle and the fuse of the power supply.
- Check the power cable and the power plug of the device.
- Turn on the appliance.

Vacuum turbine is running but the machine is not sucking in dust/dirt

- Float is blocking the suction canal.
- Empty the dirt container.

Suction capacity decreases

- Remove choking of suction nozzle, suction tube, suction hose, or cartridge filter.
- Exchange the paper filter bag.
- Change cartridge filter.

Dust comes out while vacuuming

- Check the proper installation of the cartridge filter.
- Change cartridge filter.

Customer Service

If malfunction can not be fixed, the device must be checked by customer service.

Warranty

The warranty terms published by the relevant sales company are applicable in each country. We will repair potential failures of your appliance within the warranty period free of charge, provided that such failure is caused by faulty material or defects in manufacturing. In the event of a warranty claim please contact your dealer or the nearest authorized Customer Service centre. Please submit the proof of purchase.

Accessories and Spare Parts

Only use original accessories and spare parts, they ensure the safe and trouble-free operation of the device.

For information about accessories and spare parts, please visit www.kaercher.com.

EU Declaration of Conformity

We hereby declare that the machine described below complies with the relevant basic safety and health requirements of the EU Directives, both in its basic design and construction as well as in the version put into circulation by us. This declaration shall cease to be valid if the machine is modified without our prior approval.

Product: Wet and dry vacuum cleaner

Type: 1.428-xxx

Relevant EU Directives

2006/42/EC (+2009/127/EC)

2014/30/EU

2011/65/EU

Applied harmonized standards

EN 55014-1: 2006+A1: 2009+A2: 2011

EN 55014-2: 2015

EN 60335-1

EN 60335-2-69

EN 61000-3-2: 2014

EN 61000-3-3: 2013

EN 62233: 2008

EN 50581

Applied national standards

-

5.957-710

The undersigned act on behalf and under the power of attorney of the company management.



H. Jenner
CEO




S. Reiser
Head of Approbation

Authorised Documentation Representative
S. Reiser

Alfred Kärcher GmbH Co. KG
Alfred-Kärcher-Str. 28 - 40
71364 Winnenden (Germany)
Phone: +49 7195 14-0
Fax: +49 7195 14-2212

Winnenden, 2016/01/01

Technical specifications

		NT 48/1
Mains voltage	V	110
Frequency	Hz	1~ 50-60
Max. performance	W	1380
Rated power	W	1200
Container capacity	l	48
Filling quantity (liquid)	l	35
Air volume (max.)	l/s	67
Negative pressure (max.)	kPa (mbar)	20,0 (200)
Type of protection	--	IPX4
Protective class		II
Suction hose connection (C-DN/C-ID)	mm	35
Length x width x height	mm	490 x 390 x 780
Typical operating weight	kg	10,5
Max. ambient temperature	°C	+40
Values determined to EN 60335-2-69		
Sound pressure level L_{pA}	dB(A)	72
Uncertainty K_{pA}	dB(A)	1
Hand-arm vibration value	m/s ²	<2,5
Uncertainty K	m/s ²	0,2
Power cord	H07RN-F 2x1,5 mm ²	
	Part no.:	Cable length
GB	6.649-397.0	7,5 m



<http://www.kaercher.com/dealersearch>

